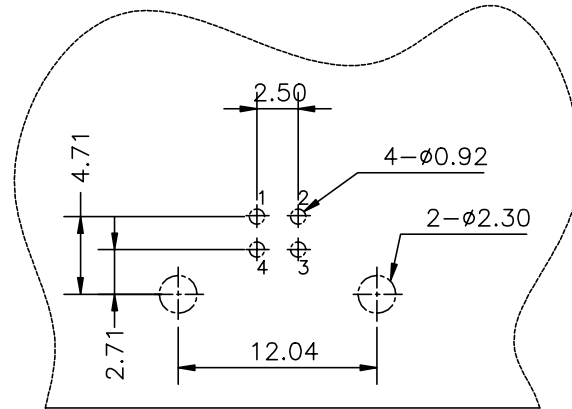
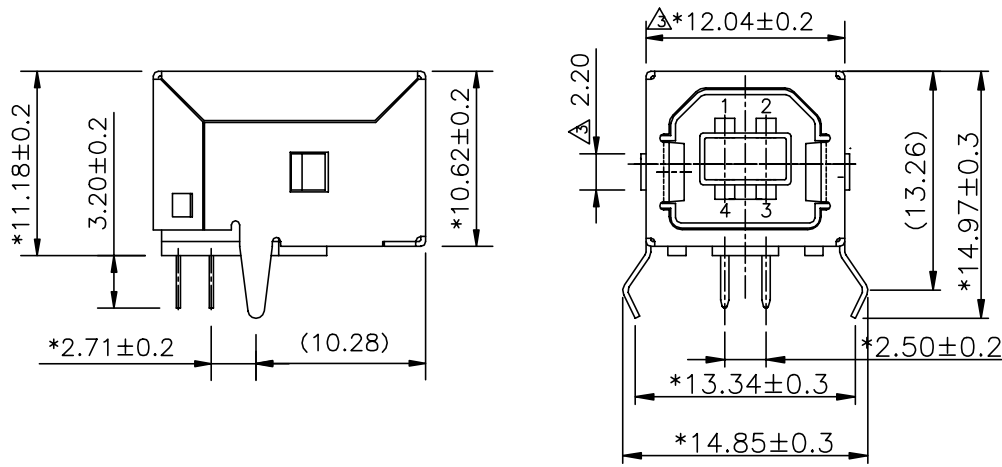


REVISION RECORD				
REV	ECO	DESCRIPTION	DRFT	CHKD
△		ADD P/N	SAMMY 07/03/05	
△		ADD P/N	SAMMY 08/03/05	
△		ADD DIM	ANKUE 09/30/05	
△		MODIFY NOTE.	ANKUE 10/18/05	
△		DRAWING CHANGE	SKYCHEN 07/22/06	



△ USB-PCB LAYOUT

NOTES:

- MATERIAL:
 - TERMINAL-C5191 PHOSPHOR BRONZE HARD. (t=0.25mm)
 - SHIELD-COPPER ALLOY(t=0.30mm)
 - HOUSING-NYLOY+GF30%
 - PLATING: CONTACT-GOLD PLATING OVER NICKEL
SHIELD-NICKEL OVER Cu.
 - GAP. 0.25mm (Max.)
 - ELECTRICAL:
 - VOLTAGE RATING : 30 VAC RMS.
 - CURRENT RATING : 1.0 AMP
 - CONTACT RESISTANCE : 30 MILLIOHMS MAX
 - INSULATION RESISTANCE : 1000 MEGOHMS MIN @500 VDC
 - DIELECTRIC STRENGTH : 750 VAC RMS 60 HZ, 1 MIN
 - OPERATING LIFE : 1500 CYCLES MIN
 - MATING FORCE : 3.5 KGS MAX
 - UNMATING FORE : 1 KGS MIN
 - ENVIRONMENTAL:
 - STORAGE : -40°C TO +85°C
 - OPERATION : -40°C TO +85°C
 - CAPACITANCE : 2 PF MAX 1KHZ
 - WAVE SOLDER TEMPERATURE: 255-265°C.(5-10 SECOND)
 - RoHS COMPLIANT.
 - UL & CUL FILE NO. E163191
 - RoHS PART NUMBER: E8144-B0XX2X-L
- MATERIAL AND COLOR:
- 1H-FR52 PANTONE BLUE 285C
 - 14-FR52 WHITE
 - 1D-PA9T BLACK
 - 15-FR52 BLACK
 - 1-Au3u" 2-Au6u"
 - 4-Au30u" 5-Au50u" △
 - 7-Pd30u"

← MM (INCH) →		DFTO SAMMY	DATE 03/14/05
TOLERANCES EXCEPT AS NOTED		CHKDANKUE	DATE 2006/7/22
		MFO	DATE
		APPVLU SHENG	DATE 2006/7/22
MM		MATERIAL :	
.0 ± 0.2	±	QTY :	
.00 ± 0.15	±	FINISH :	
.000 ± 0.075	±	SCALE : 3:1	
ANGLES ± 0.5		THIRD ANGLE PROJECTION	

		RoHS Compliant	
FULL RISE ELECTRONIC CO., LTD			
TITLE USB Series B 4-Position Dip Type			
DRAWING NO. GE813A02-LA		SIZE	REV
/PART NO. SEE NOTE		A3	5
DO NOT SCALE DRAWING		SHEET 1	OF 1